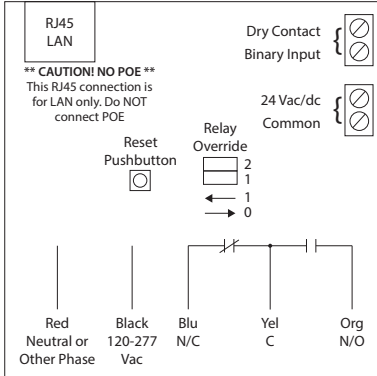


## INTELLIGENT FIELD DEVICE

### RIBTW2421B-BCIP

BACnet IP Network Relay Device, One Binary Output + Override,  
One Binary Input, 24 Vac/dc / 120-277 Vac Power Input, NEMA 1 Housing



## SPECIFICATIONS

- # Relays & Contact Type:** One (1) SPDT Continuous Duty Coil
- Expected Relay Life:** 10 million cycles minimum mechanical
- Operating Temperature:** -30 to 140° F
- Humidity Range:** 5 to 95% (noncondensing)
- Operate Time:** 18ms
- Green LED:** Network Communication
- Red LED:** Relay Status
- Yellow LED:** Link Status
- Blue LED:** Heartbeat
- Pink LED:** Binary Input Status
- Dimensions:** 4.00"H x 4.00"W x 1.81"D with 0.50" NPT hub
- Housing Detail:** See Housing C in housing guide for dimensions
- Origin:** Made of US and non-US parts
- Wires:** 16", 600V Rated
- Approvals:** CE, UL Listed, UL916, C-UL, RoHS
- Housing Rating:** UL Accepted for Use in Plenum, NEMA 1
- Gold Flash:** No
- Relay Override Switch:** DIP Switch Control
- Network Media:** Ethernet Cable

- Contact Ratings:**
  - 20 Amp Resistive @ 277 Vac
  - 20 Amp Ballast @ 277 Vac
  - 16 Amp Electronic Ballast @ 277 Vac (N/O)
  - 10 Amp Tungsten @ 120 Vac (N/O)
  - 1110 VA Pilot Duty @ 277 Vac
  - 770 VA Pilot Duty @ 120 Vac
  - 2 HP @ 277 Vac
  - 1 HP @ 120 Vac

- Power Input Ratings:**
  - 80 mA @ 24 Vdc
  - 135 mA @ 24 Vac
  - 19 mA @ 120-277 Vac

- Power Input:** 24 Vac/dc; 120-277 Vac; 50-60 Hz

**Notes:**  
Dry contact binary input is a general purpose input that is not tied to the relay internally. Can be used with any dry contact switching device, such as a current sensor, to report back to the network.

When connecting 24 Vac to both the RIB(s) and a half-wave device, damage to device can occur.  
Option 1: Use separate transformers for each device.  
Option 2: Add diode between devices, see Option 2 note below. ^^

- BACnet® Details:**
  - Device ID will default to 277XXX where XXX is the decimal value of the last octet of the device's MAC address

Examples:

MAC Address – D8:47:8F:23:97:9E  
Hexadecimal 9E = Decimal 158  
Device ID – 277158

MAC Address – D8:47:8F:23:9F:20  
Hexadecimal 20 = Decimal 32  
Device ID – 277032

Device ID can be changed with a BACnet configuration tool or on the product's webpage via an internet browser

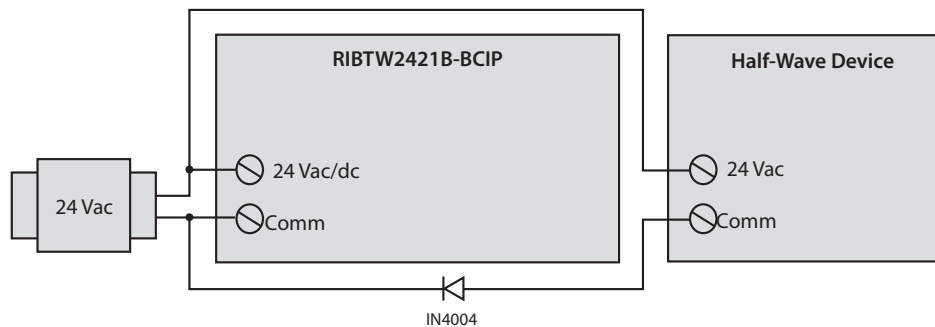
This model utilizes:  
BO1 (Relay output)  
BI1 (Dry Contact Binary Input),  
NP1 (Network Port Object)

PIC Statement available on website

See Bulletin B3703 for more information

DIP SWITCHES*	RELAY STATE**
1 2	
0 1	Auto
1 X	Override on
0 0	Override off

\* 0 = Open ; 1 = Closed  
\*\* Device must be powered for override



^^ Option 2: Add diode on 24 Vac power (Comm) interconnection between devices. Band on diode faces towards RIB(s).