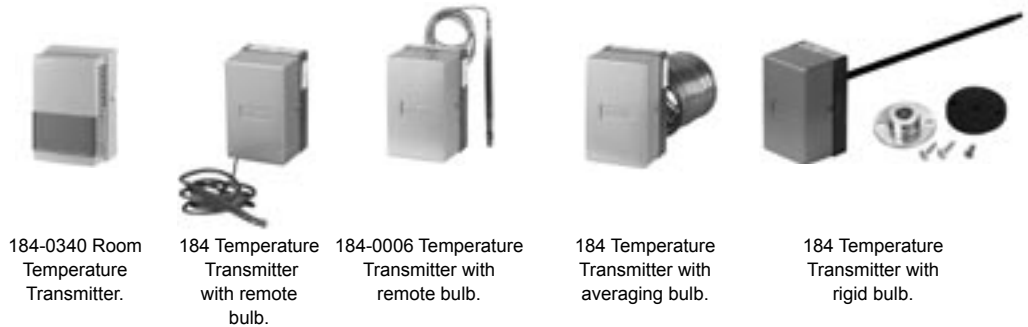


RETROLINE®

easily replaces:

- Barber-Colman
- Johnson Controls
- Honeywell
- Robertshaw
- Seibe



Description

The 184 Temperature Transmitters are direct acting, one-pipe instruments that sense temperature and transmit a proportional 3 to 15 psi (21 to 103 kPa) pneumatic signal to a remotely-located receiver gauge and/or receiver controller. Temperature Transmitters operate on the force-balance principle, using internal feedback for excellent linearity and accuracy.

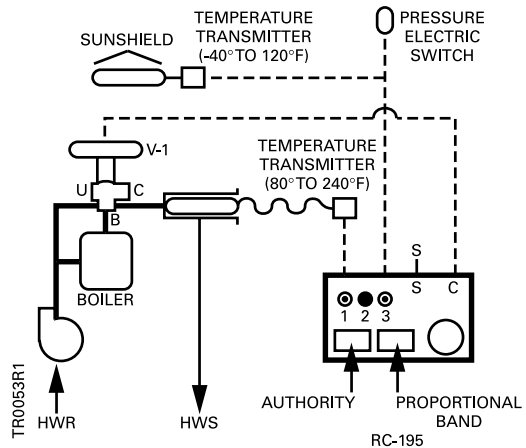
Retroline transmitters easily replace any competitive model. Refer to the appropriate product to locate the Retroline replacement.

- 1-pipe, direct acting
- Rapid response to temperature changes over their full range
- Available in a variety of sensing elements and temperature ranges
- Available with rigid bulb, remote averaging bulb, and room transmitter
- Internal feedback for excellent linearity and accuracy

Applications

The 184 Temperature Transmitters can be used for a variety of applications to monitor temperature and are ideal for those requiring indication with a receiver-controller.

Application Drawing



Hot water temperature set point reset.

Specifications/Product Ordering

Action Direct
Output Air Pressure 3 to 15 psi (21 to 103 kPa)
Ambient Temperature Range 40 to 120°F (4.4 to 49°C)
Input (supply) Air Pressure
 Restrictor Size 40 scim (11 ml/s)
 Calibration Pressure 22± 1.0 psig (152± 6.9 kPa)
 Maximum 30 psig (207 kPa)

Thermal System
 Room Bimetal
 Rigid Bulb Rod and tube
 Remote Bulb Liquid-filled

Air Consumption 35 scim (10 ml/s)

Air Connections 1/8" NPT (Except for room type)

Mounting
 Room Wall terminal
 Rigid Bulb Mounting flange
 Remote Bulb Mounting flange or well bracket mounting kit
 Averaging Bulb Mounting flange

Cover Finish
 Room Desert Beige, plastic
 Rigid, Averaging and Remote Bulb Gray

Dimensions
 Room 2.16" W x 3.35" H x 1.59" D
 (55 mm W x 85 mm H x 40 mm D)
 Rigid Bulb/Remote Bulb 1.875" W x 3" H x 1.69" D
 (48 mm W x 76 mm H x 33 mm D)

Shipping Weights
 Room 0.83 lb. (0.38 kg)
 Rigid Bulb 1.5 lb. (0.68 kg)
 Remote Bulb 2.0 lb. (0.91 kg)
 Averaging Bulb with Armored Capillary 3.0 lb. (1.36 kg)
 Averaging Bulb 2.0 lb. (0.91 kg)



	Description	Temperature Range	Part No.	
184 Temperature Transmitters	Rigid Bulb Transmitter Bulb 1/4" Dia. x 9" L (6 mm Dia. x 229 mm L)	35 to 135°F (2 to 57°C)	184-0001	Rigid Bulb
		50 to 100°F (10 to 38°C)	184-0002	
		80 to 240°F (27 to 116°C)	184-0003	
		0 to 100°F (-18 to +38°C)	184-0028	
	Remote Averaging Bulb Transmitter 3/32" Dia. x 20' L (2 mm Dia. x 6.1 m L) with 12" (305 mm) Capillary	35 to 135°F (2 to 57°C)	184-0004	Remote Bulb
		0 to 100°F (-18 to +38°C)	184-0048	
	Remote Bulb Transmitter 1/4" Dia. x 4" L (6 mm Dia. x 102 mm L) 3' (0.92 m) Capillary	-40 to +120°F (-40 to +49°C)	184-0005	
		50 to 100°F (10 to 38°C)	184-0018	
		80 to 240°F (27 to 116°C)	184-0014	
		0 to 100°F (-18 to +38°C)	184-0036	
		-10 to +65°F (-23 to +18°C)	184-0015	
		35 to 135°F (2 to 57°C)	184-0034	
		30 to 190°F (-1 to +88°C)	184-0041	
Remote Bulb Transmitter 1/4" Dia. x 4" L (6 mm Dia. x 102 mm L) 3' (0.92 m) Armored Capillary	-40 to +120°F (-40 to +49°C)	184-0006		
Room Transmitter With cover and wall plate (180-443)	50 to 100°F (10 to 38°C)	184-0340	Room	

Product Ordering/Specifications

RETROLINE®	Manufacturer Part No.	Description	Temperature Range	Part No.	
	LP914A1003	Rigid Bulb Transmitter 12" (255 mm)	-40 to +160°F (-40 to +371°C)	184-0120	Honeywell
	LP914A1052	Rigid Bulb Transmitter 6" (152 mm)	40 to 240°F (4 to 116°C)	184-0121	
	TP974A2000	Room Temperature Transmitter	50 to 100°F (10 to 38°C)	184-0126	
	T5002-201	Room Temperature Transmitter	50 to 100°F (10 to 38°C)	184-0127	
	T5210-1002	Remote Bulb Transmitter 1/4" x 7-5/8" bulb (6.4 mm x 194 mm) w/ 8" (203 mm) capillary	0 to 100°F (-18 to 38°C)	184-0123	Johnson Controls
	T5210-1004	Remote Bulb Transmitter 1/4" x 7-5/8" bulb (6 mm x 194 mm) w/ 8" (203 mm) capillary	40 to 240°F (4 to 116°C)	184-0122	
	T5210-1007	Averaging Bulb Transmitter 3/32" x 8-3/4" bulb 2.4 mm x 5.7 m) w/ 12" (0.305 m) capillary	50 to 150°F (10 to 38°C)	184-0129	
	T5210-1009	Averaging Bulb Transmitter 3/32" x 18-3/4" bulb (2 mm x 5.7 m) w/ 12" (0.305 m) capillary	0 to 100°F (-18 to +38°C)	184-0125	
	T5210-1113	Remote Bulb Transmitter 1/4" x 7-5/8" bulb (6 mm x 194 mm) w/ 50" (1.27 m) capillary	-40 to +160°F (-40 to +71°C)	184-0124	
2220-053	Room Temperature Transmitter	50 to 90°F (10 to 32°C)	184-0128	Robert-Shaw	