
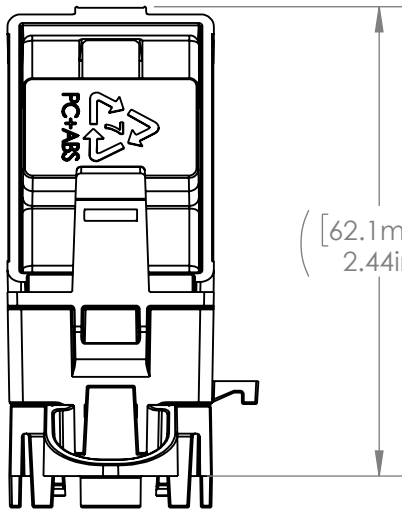


DIMENSIONS WITH AND WITHOUT THE MOUNTING CLIP

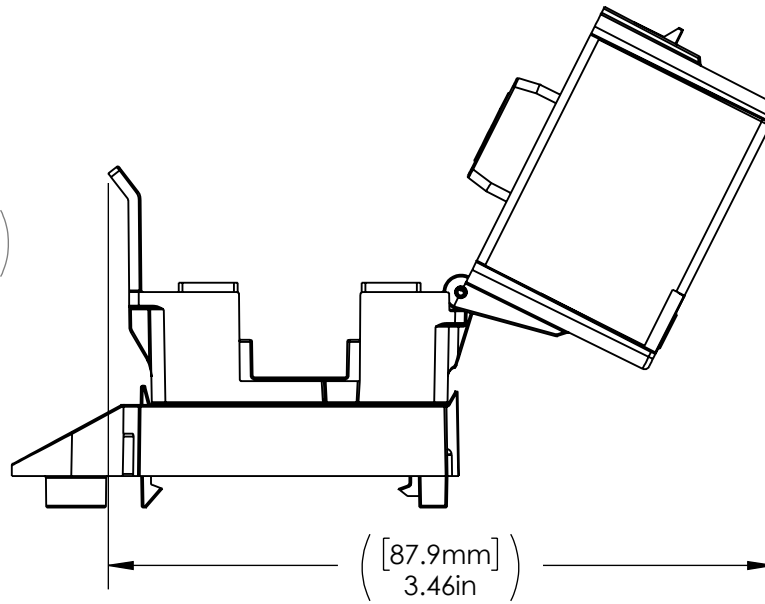
NOTES:

- Dimensions with () are for reference only

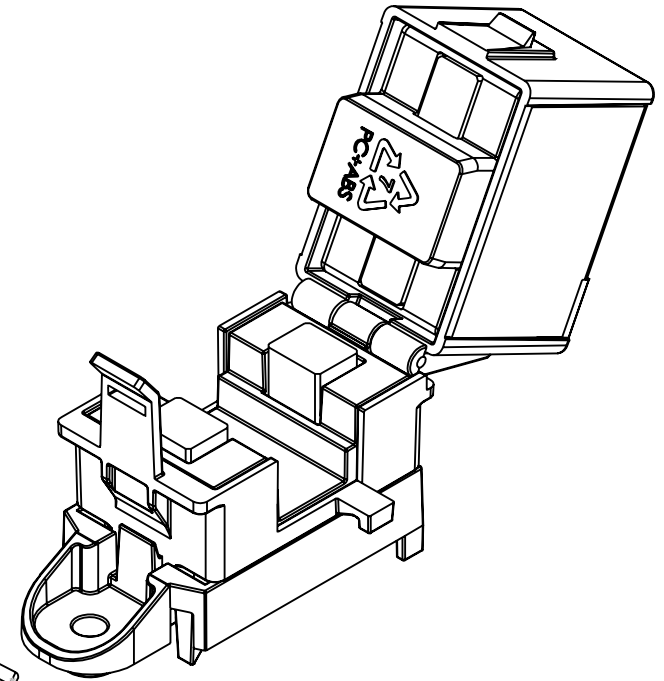
DIMENSIONS ARE IN INCHES TOLERANCES: (UNLESS NOTED) 3 PLACE DECIMAL = ±0.005 2 PLACE DECIMAL = ±0.015 1 PLACE DECIMAL = ±0.050 DIMENSIONS IN INCHES DRAWING NOT TO SCALE	PROPRIETARY AND CONFIDENTIAL THE INFORMATION CONTAINED IN THIS DRAWING IS THE SOLE PROPERTY OF AUTOMATION COMPONENTS INC. ANY REPRODUCTION IN PART OR AS A WHOLE WITHOUT THE WRITTEN PERMISSION OF AUTOMATION COMPONENTS INC. IS PROHIBITED.		WORKWISE#:	
	151889, 151890			
DEBURR AND BREAK SHARP EDGES	DESCRIPTION: A/MSCTE-40, A/MSCTA-40		DWG. NO. M0000736	REV 1
MATERIAL: SEE PART DWG.	DATE: 9/15/2023	DRAWN BY: DSC	APPROVED BY: N/A	SCALE: 1:1 DO NOT SCALE DRAWING SHEET 1 OF 2



([62.1mm])
2.44in



([87.9mm])
3.46in



NOTES:

- Dimensions with () are for reference only

DIMENSIONS ARE IN INCHES
TOLERANCES: (UNLESS NOTED)
3 PLACE DECIMAL = ±0.005
2 PLACE DECIMAL = ±0.015
1 PLACE DECIMAL = ±0.050
DIMENSIONS IN INCHES
DRAWING NOT TO SCALE

PROPRIETARY AND CONFIDENTIAL
THE INFORMATION CONTAINED IN THIS
DRAWING IS THE SOLE PROPERTY OF
AUTOMATION COMPONENTS INC. ANY
REPRODUCTION IN PART OR AS A WHOLE
WITHOUT THE WRITTEN PERMISSION OF
AUTOMATION COMPONENTS INC. IS
PROHIBITED.



WORKWISE#:

151889, 151890

DEBURR AND BREAK
SHARP EDGES

DESCRIPTION:
A/MSCTE-40, A/MSCTA-40

DWG. NO.
M0000736

REV
1

MATERIAL:
SEE PART DWG.

DATE:
9/15/2023

DRAWN BY:
DSC

APPROVED BY:
N/A

SCALE: 1:1

DO NOT SCALE DRAWING

SHEET 2 OF 2